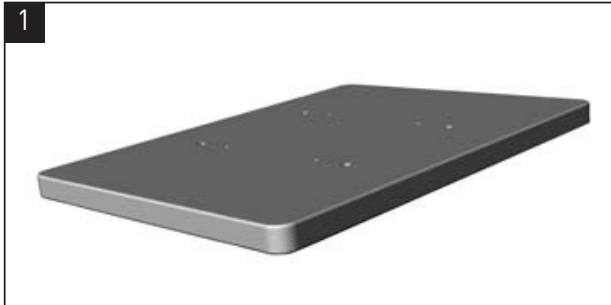




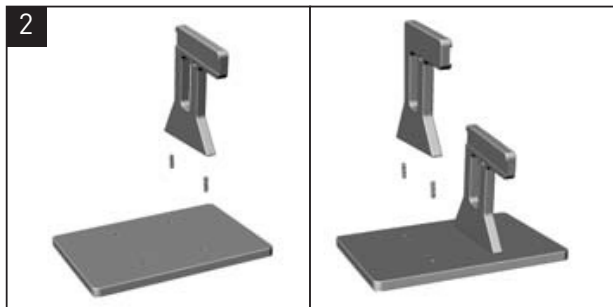
WaterRower

LAPTOP STAND

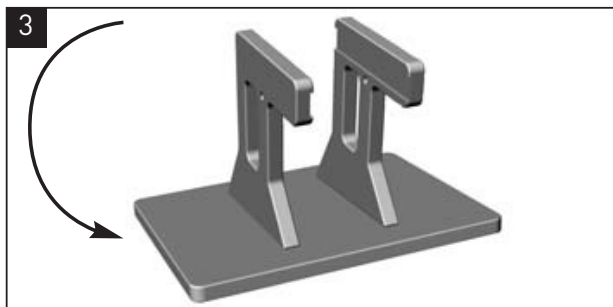
INSTALLATION INSTRUCTIONS



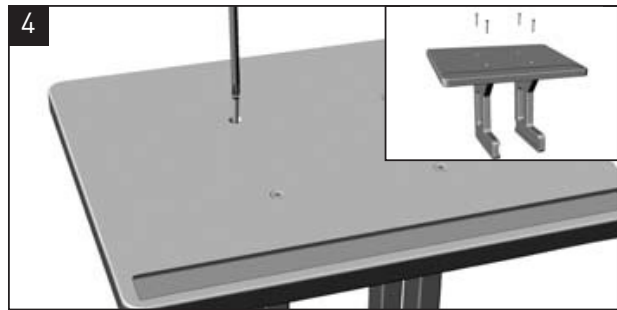
1 Place the top plate face down, with the holes facing up.



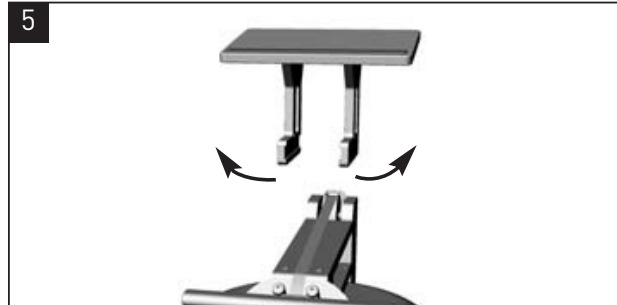
2 Insert the wooden dowels (x4) into the holes on the top plate. Next, line up the legs with the dowels. Be sure the open 'L'-shaped side corresponds to the ridge on the top plate (currently on the underside). See the image of the finished stand to the right for reference. Press the legs onto the dowels until they connect with the top plate.



3 Once the legs are in place, flip the unit over.



4 Insert the screws (x4) into the holes on the top plate. Tighten securely.



5 Slightly part the legs of the unit as you place it onto your WaterRower (ensure the ridge on the top plate is on the edge closest to the handle).



6 Next, thread the long bolt through the side of the leg. In the hole on the opposite side, insert the nut and tighten securely.

